

# CAP BSM E8 C

## CAPRI Tap Range Capri Bath Shower Mixer Eco8 Chrome



### Features:

- Supplied with metal handles
- Supplied with single function rub clean handset, 1.75m hose & wall bracket
- Operates at a minimum pressure of 0.3bar to bath fill
- Product supplied with either a 6 or 8 litre per minute flow regulator which can be fitted to the shower hose outlet to reduce water consumption and increase water efficiency (Flow Regulator accurate +/- 10%)

### Product Certifications:



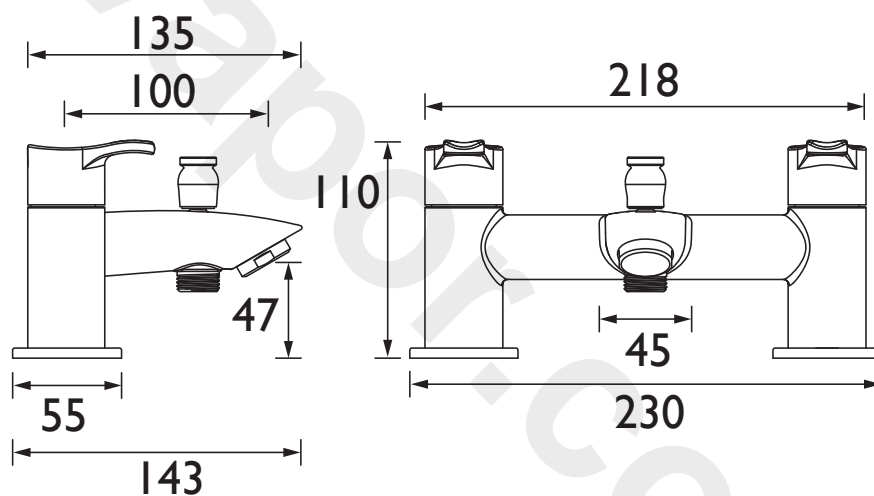
For more products, visit our website:  
<http://www.bristan.com>



### Specification

Product Type:	Bathroom Tap
Main Construction Material:	Brass
Mount Type:	Deck Mounted
Handle Type:	Lever Handles
Connection Inlet:	3/4" BSP
Connection Outlet:	M28 Flow Straightener
Number of Tap Holes:	2
Valve/Cartridge Type:	1/4 Turn 3/4" Ceramic Disc Valve
Plumbing System Requirements:	Suitable for all plumbing systems
Minimum Dynamic Pressure (bar):	0.3 bar
Maximum Dynamic Pressure (bar):	5.0 bar
Maximum Hot Water Temperature °C:	65°C
Maximum Static Pressure (bar):	10 bar
Flow Type:	Single Flow
Isolation Included:	No

### Dimensions (measurements in mm)



### Flow Rates (l/min)

System Pressure (bar)	0.3	0.5	1	2	3	5
Through Bath Filler (mixed)	16.7	21.5	30.4	43	52.7	68
Through Handset (mixed)	8	8	8	8	8	8

## TECHNICAL DATA SHEET



# BRISTAN

D3